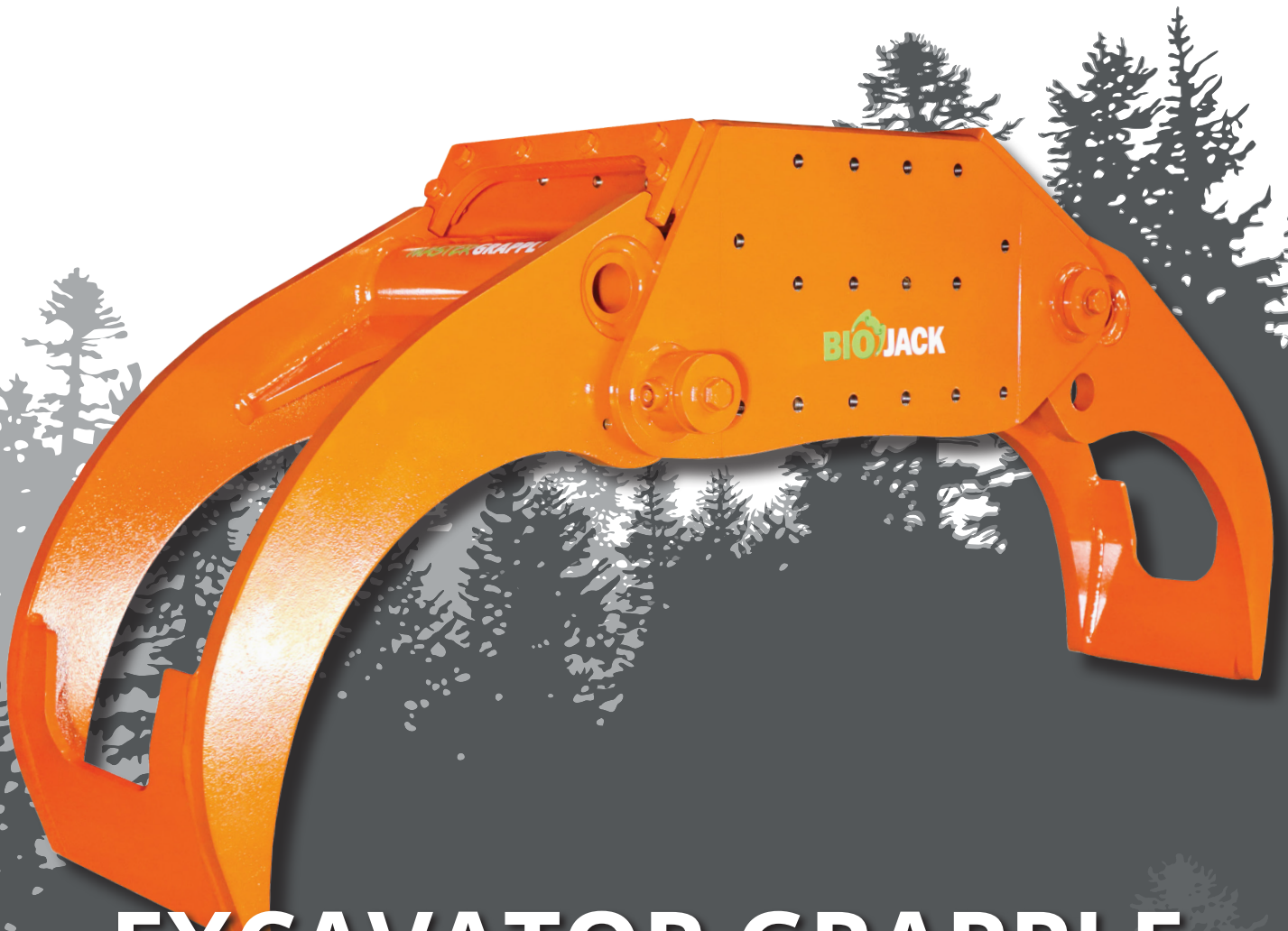




# MASTER GRAPPLE 1500



## EXCAVATOR GRAPPLE MASTER GRAPPLE SERIES

✓ **WIDE GRAPPLE**  
MAX OPENING 147 CM

✓ **KNIFE Ø26 CM AS OPTION**  
WITH A STRONG CYLINDER

✓ **TOUGH HARDOX® STRUCTURE**  
EXCAVATORS 6 - 12 T



**MADE IN FINLAND**

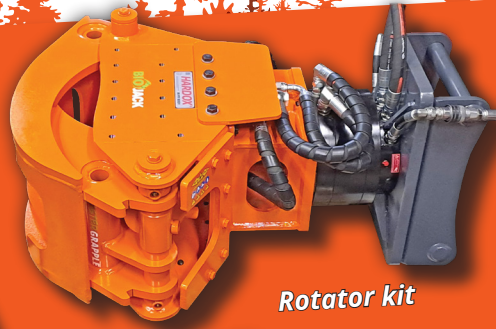
Biojack Oy | [www.biojack.fi](http://www.biojack.fi)  
Valimotie 1, FI-25500 Perniö | [info@biojack.fi](mailto:info@biojack.fi)

# HARDOX<sup>®</sup>

IN MY BODY



10-25 t



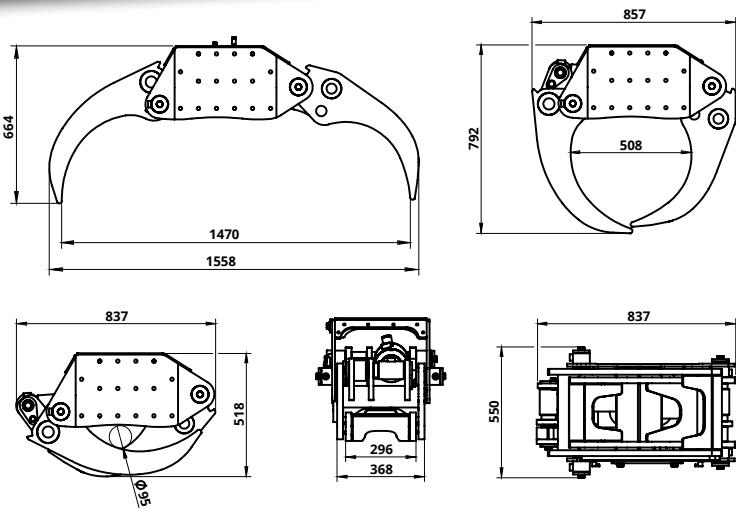
Rotator kit



Grapple stoppers



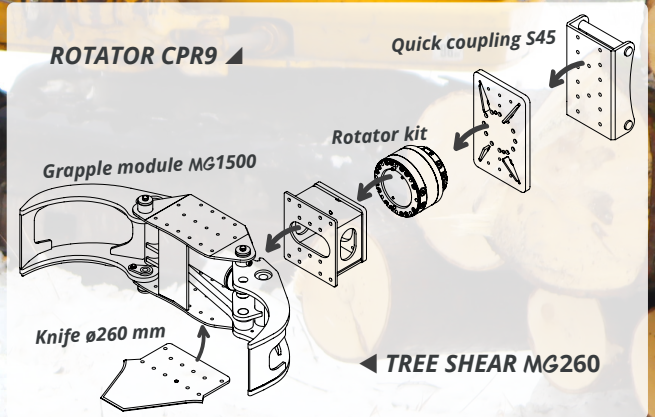
Knife  $\varnothing$ 260 mm  
Tree shear MG260



<b>Weight</b>	
<b>Grapple module (MG1500)</b>	260 kg (573 lbs)
<b>Rotateur kit</b>	200 kg (440 lbs)
<b>Oil flow max</b>	200 L/min (53 gpm)
<b>Operating pressure max</b>	300 bar (4350 psi)
<b>Clamping force</b>	28.3 t (250 bar, 3625 psi) 34 t (300 bar, 4350 psi)
<b>Grapple opening</b>	9.5-147 cm
<b>Grapple type</b>	MASTERGRAPPLE 1500 roundwood
<b>Hydraulic connections</b>	Pressure line 19 mm, 3/4" Return line 19 mm, 3/4"
<b>Base machines</b>	Excavators 6-12 t
<b>Options</b>	Knife $\varnothing$ 260 mm, +20 kg (44 lbs) Rotator kit, +200 kg (440 lbs) Coupling box, +65 kg (143 lbs) Quick coupling



[www.biojack.fi](http://www.biojack.fi)



 **MADE IN FINLAND**

Biojack Oy | [www.biojack.fi](http://www.biojack.fi)  
Valimotie 1, FI-25500 Perniö | [info@biojack.fi](mailto:info@biojack.fi)