



MASTER GRAPPLE 1700



EXCAVATOR GRAPPLE MASTER GRAPPLE SERIES

✓ **WIDE GRAPPLE**
MAX OPENING 170 CM

✓ **KNIFE Ø32 CM AS OPTION**
WITH A STRONG CYLINDER

✓ **TOUGH HARDOX® STRUCTURE**
EXCAVATORS 10 - 25 T



MADE IN FINLAND

Biojack Oy | www.biojack.fi

Valimotie 1, FI-25500 Perniö | info@biojack.fi

HARDOX
IN MY BODY



Grapple adapter

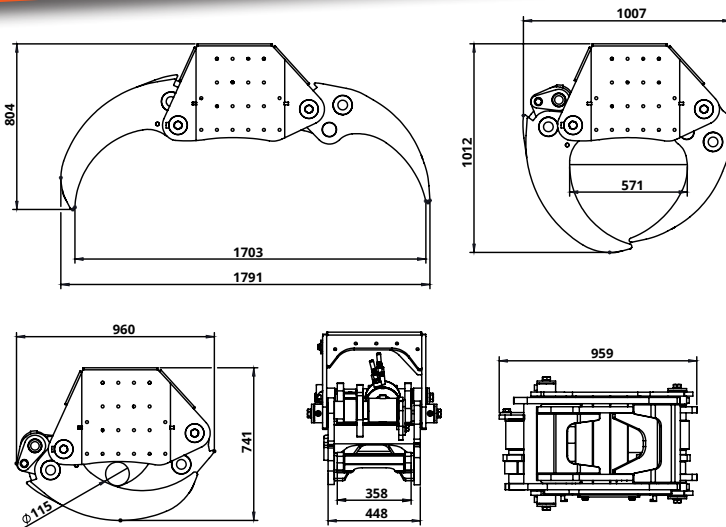
10-25 t



Rotator kit



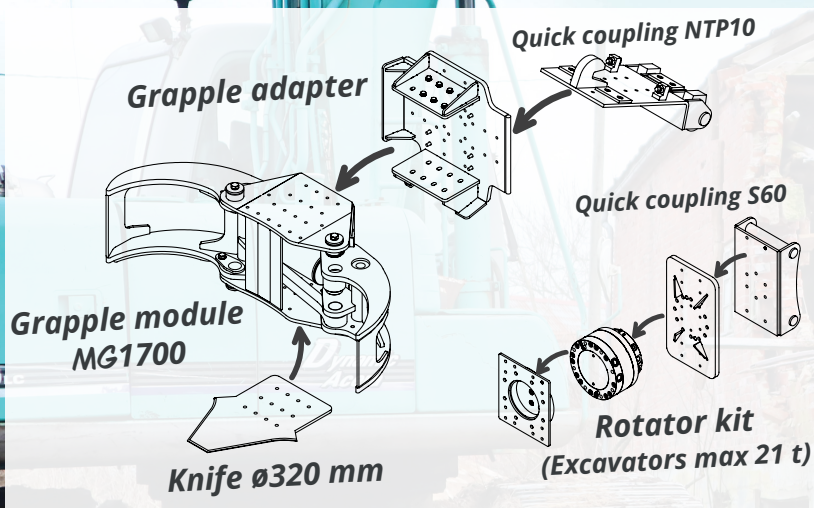
Knife ø320 mm
Tree shear MG320



Weight	
Grapple module (MG1700)	480 kg
Grapple adapter	130 kg
Rotateur kit	345 kg
Oil flow max	200 L/min
Operating pressure max	300 bar
Clamping force	44 t (250 bar) 53 t (300 bar)
Grapple opening	11-170 cm
Grapple type	MASTERGRAPPLE 1700 roundwood
Hydraulic connections	Pressure line 19 mm, 3/4" Return line 19 mm, 3/4"
Base machines	Excavators 10-25 t Knife (ø320 mm) Rotator kit
Options	Grapple adapter Coupling box Quick coupling



www.biojack.fi



MADE IN FINLAND

Biojack Oy | www.biojack.fi
Valimotie 1, FI-25500 Perniö | info@biojack.fi