



# MASTER GRAPPLE 1700



## EXCAVATOR GRAPPLE MASTER GRAPPLE SERIES

✓ **WIDE GRAPPLE**  
MAX OPENING 170 CM

✓ **KNIFE Ø32 CM AS OPTION**  
WITH A STRONG CYLINDER

✓ **TOUGH HARDOX® STRUCTURE**  
EXCAVATORS 10 - 25 T



**MADE IN FINLAND**

Biojack Oy | [www.biojack.fi](http://www.biojack.fi)  
Valimotie 1, FI-25500 Perniö | [info@biojack.fi](mailto:info@biojack.fi)

**HARDOX**  
IN MY BODY

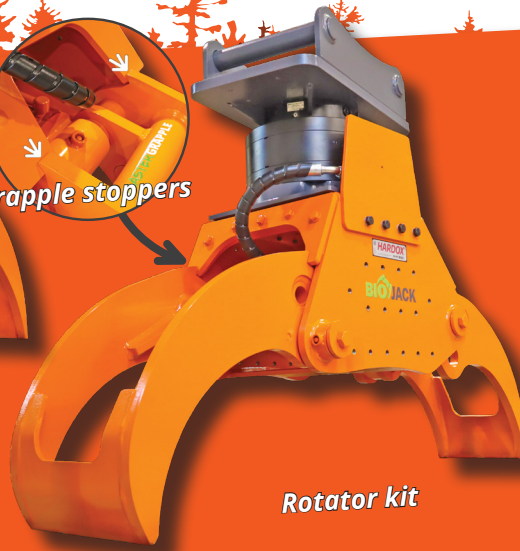


Grapple adapter

10-25 t



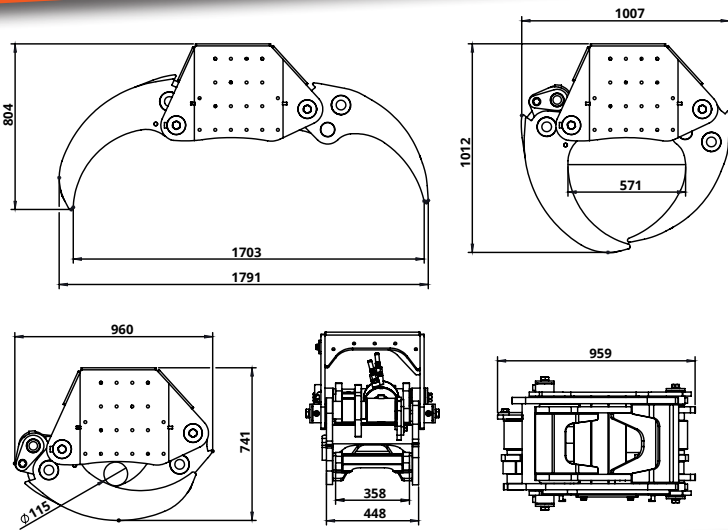
Grapple stoppers



Rotator kit



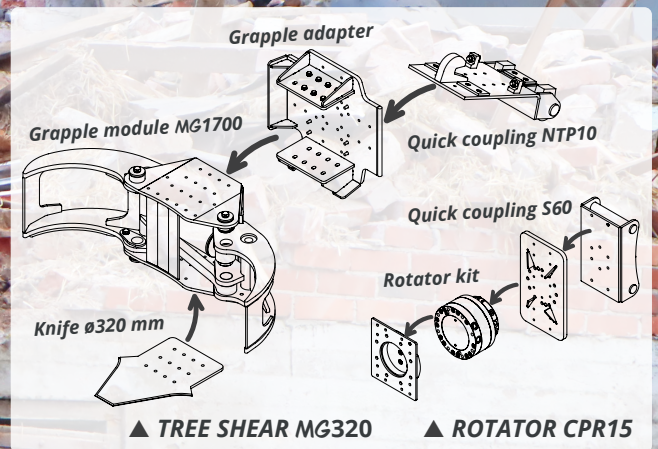
Knife ø320 mm  
Tree shear MG320



<b>Weight</b>	
Grapple module (MG1700)	480 kg (1058 lbs)
Grapple adapter	130 kg (286 lbs)
Rotateur kit	290 kg (640 lbs)
<b>Oil flow max</b>	200 L/min (53 gpm)
<b>Operating pressure max</b>	300 bar (4350 psi)
<b>Clamping force</b>	44.9 t (250 bar) 54 t (300 bar)
<b>Grapple opening</b>	11-170 cm
<b>Grapple type</b>	MASTERGRAPPLE 1700 roundwood
<b>Hydraulic connections</b>	Pressure line 19 mm, 3/4" Return line 19 mm, 3/4"
<b>Base machines</b>	Excavators 10-25 t
<b>Options</b>	Knife (ø320 mm), +35 kg (77 lbs) Grapple adapter, +130 kg (287 lbs) Rotator kit, +290 kg (640 lbs) Coupling box, +125 kg (275 lbs) Quick coupling



[www.biojack.fi](http://www.biojack.fi)



▲ TREE SHEAR MG320

▲ ROTATOR CPR15

**MADE IN FINLAND**

Biojack Oy | [www.biojack.fi](http://www.biojack.fi)  
Valimotie 1, FI-25500 Perniö | [info@biojack.fi](mailto:info@biojack.fi)